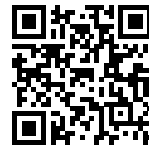


## Sink S1000

Bowl on the left

Kitchen Sinks

Code: 1186 162



### DETAILS

Edge/Installation Type      Standard (8 mm Edge)

---

Finish      Foster brushed

---

Material      AISI 304 stainless steel

---

Texture      Foster brushed

---

Base      45 cm

---

Dimensions      860 x 500 mm

---

Standard fittings      Fixing hooks, gasket, drain, overflow and siphon, boxed packing

---

Mixer holes      1 standard hole

---

Built-in hole      840 x 480 mm

---

Drainer Yes

---

Width 86 cm

---

Bowl dimension 340x400mm

---

Number of bowls 1 bowl

---

Waste fitting 3,5" drain

---

## FEATURES

**Added value** Foster uses steel thicknesses higher than those used on average by other manufacturers. This is how, thanks to our long experience, we know how to make sinks of superior quality and with a better resistance to aging.

---

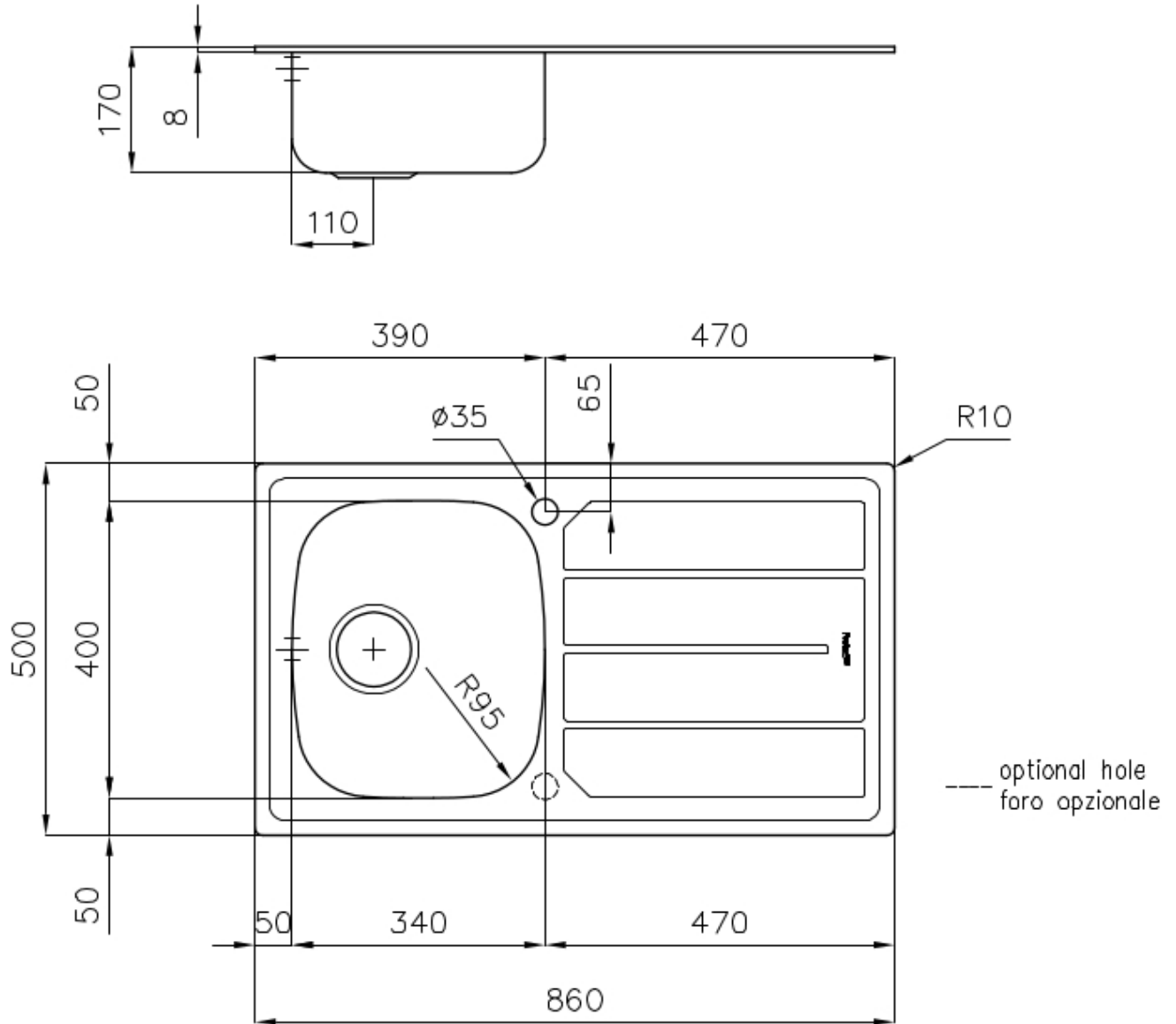
**Basket 3,5" waste fitting** The drain is equipped with a large 3.5" drain, with the practical basket cap that prevents the discharge of solid parts.

---

**Sliding brackets**

---

## TECHNICAL DATA



## OPTIONAL ACCESSORIES



**HDPE Chopping board**  
8657 001



**Glass chopping board**  
8633 300

## RECOMMENDED PAIRINGS



**Mixer Tap S1000 - RO**  
8443 002